

# 6200

ELECTRIC  
CURTAIN RAIL

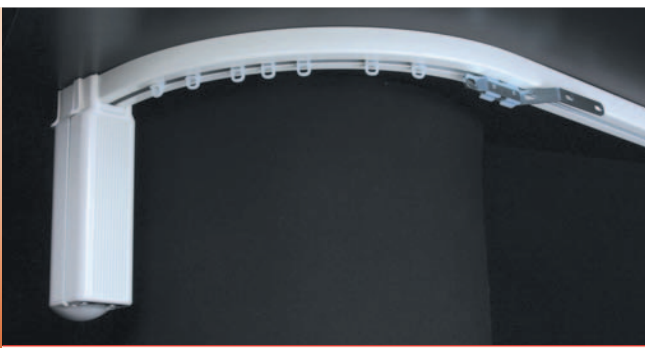
# 6200



**G-RAIL<sup>®</sup>**

ALUMINIUM RAIL

> *by Goelst*



G-Rail 6200 is a powerful low voltage (24V) electrically operated curtain track system that is delivered complete ready assembled with infrared remote control as standard. Suitable for both 110 and 240 Volt supply, system 6200 can be installed without the need of an electrician. Setting the end of travel positions is easily carried out using the infrared transmitter supplied. Now further advanced with integrated G-Rail 'CAN-BUS' intelligence the elegant design and simplicity to combine systems ensure 6200 is suitable for the most demanding interior applications

**Standard colours:** White RAL 9010, Natural Metallic RAL 9006.  
Special colours available on request.

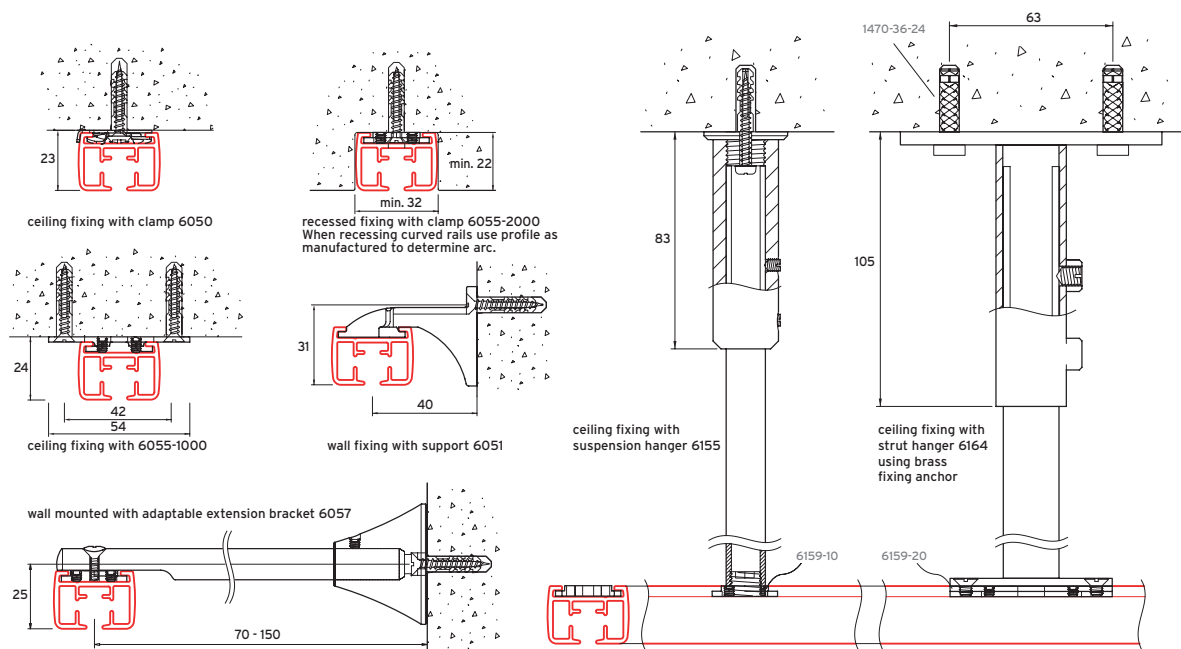
**ELECTRIC CURTAIN RAIL**

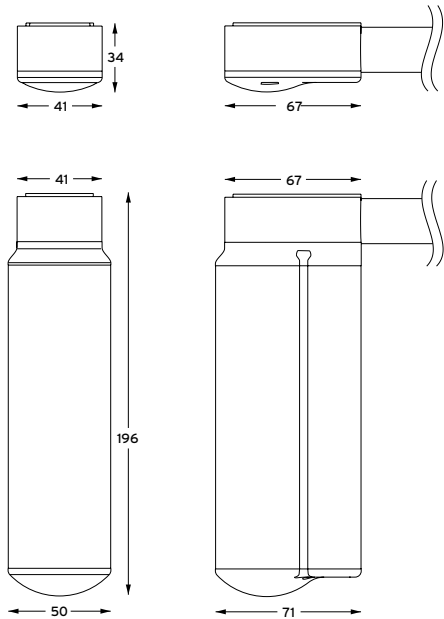
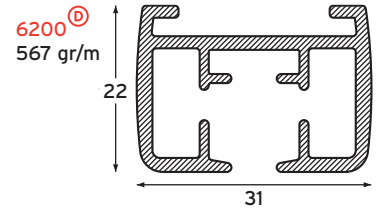
# 6200



# 6200<sup>P</sup> > Advanced engine

## Installation





## Specification Guide

### Special Qualities

- > Silent Operation
- > System suitable for all curtain weights and applications.
- > Strong motor with low system resistance.
- > Delivered pre-wired for simple 24-volt installation
- > Easy control and setting of the system using infrared remote control
- > In-built repeat timer function.
- > up to 5 intermediate positions programmable.
- > Colour co-ordinated components.
- > Standard travel speed set at 15 cm / second.
- > Variable speed motor facility, launching/docking speeds and distances pre-programmed by Goelst or approved distributor.
- > Standard IR control, optional momentary switch (code 6048-1001) RF (radio frequency) is also available
- > Integrated G-Rail 'CAN-BUS' system, allows group / individual control of G-Rail electric curtain tracks
- > Compatible with most existing BUS systems.
- > Optional 6280-PRS Pilot Release system, allows curtains to be operated by hand in the event of emergency, power failure and/or product unfamiliarity.

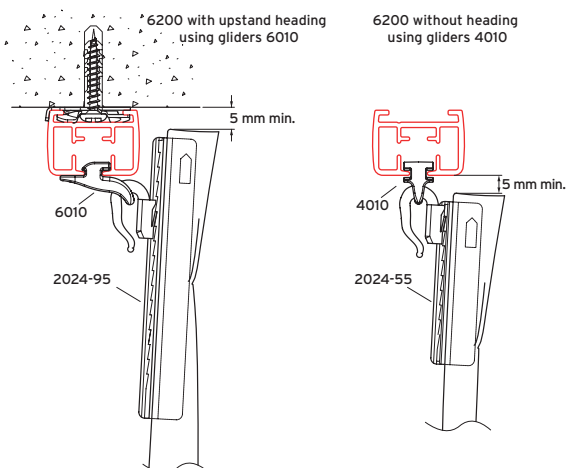
### Materials:

Aluminium 606035-T6-F22 (higher specification than DIN 1725). Shape and size tolerances are in accordance with DIN 17615. White RAL 9010 or Natural Metallic 9006 powder coated in accordance with the Qualicoat standard. Profile weight: 567 gr per linear metre.

# technical engineering and design.

## Curtain hanging examples

Maintain operating clearance between curtain and ceiling or curtain and profile.



### Accessories:

Assembled with 10 to 16 gliders per metre. Maximum weight per glider 4010: 1 kg. Maximum weight per roller 4030: 1,5kg. Standard maximum curtain weight: 100 kg. Upstand headings can be achieved using projection glider 6010. Maximum load: 50% of values given in '6200 load table with glider 4010'. For curved rails: apply minimum of 12 gliders 6010 per linear metre of rail

### Installation:

General advice for installation: an extra bracket should be installed at the curtain stacking positions.

Ceiling fixing with bracket 6050: fixing centres 60-80 cm. Maximum total curtain weight with brackets 6050: 25 kg.

Ceiling fixing with bracket 6055-1000 for heavy curtains up to 100 kg and with special curves, fixing centres 60-80 cm.

Wall fixing with bracket 6051 (projection 4 cm)

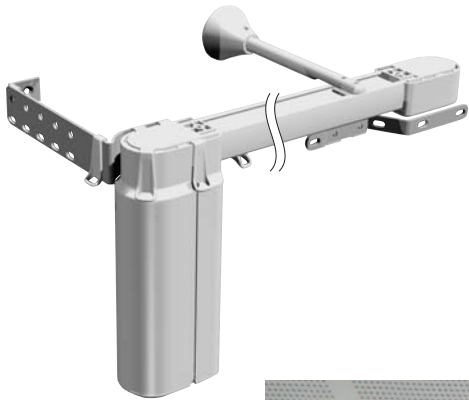
Wall fixing with adjustable bracket 6057 (projection 7-15 cm). Weight per bracket 6057 up to maximum 10 kg, depending on fixing surface.

### Bending:

Radius 20 cm, 30 cm (bending machine 1015) or greater than 1 m.

## Load table 6200 with glider 4010

		1m	2m	3m	4m	5m	6m	7m	8m	9m	10m	11m	12m	13m	14m	15m	16m	17m	18m
Straight	kg	10	20	30	40	50	60	60	60	60	60	60	60						
Straight (Tandem)	kg							70	80	90	100	100	100	80	80	80	80	80	80
1 curve	kg	10	20	30	40	50	50	50	50	50	50	50	50						
1 curve (Tandem)	kg						60	70	80	90	90	90	90	70	70	70	70	70	70
2 curves	kg	10	20	30	40	45	45	45	45	45	45	45	45						
2 curves (Tandem)	kg					50	60	70	80	80	80	80	80	60	60	60	60	60	60
1 large curve	kg	10	20	30	40	45	45	45	45	45	45	45	45						
1 large curve (Tandem)	kg					50	60	70	80	80	80	80	80	60	60	60	60	60	60



This table indicates the maximum total curtain weight when using glider 4010, allowing 10 gliders per metre each with a maximum carrying weight of 1 kg per glider.

Maximum weight per roller 4030: 1.5 kg.

Maximum total curtain weight for projection glider 6010: 50% of values given in table above. For curved rails: apply minimum of 12 gliders 6010 per linear metre of rail.

Above 25 kg total curtain weight, use ceiling fixing bracket 6055-1000.

Tandem = dual motor unit.

Curve = a 90° curve or two 45° curves

Large curve = gradual curve with a radius of 1 metre or more.

The curtain should not be in contact with the underside of the profile.

Weights given are based on tracks being installed horizontally - for sloping installations or for systems longer than given in the load table - please enquire.

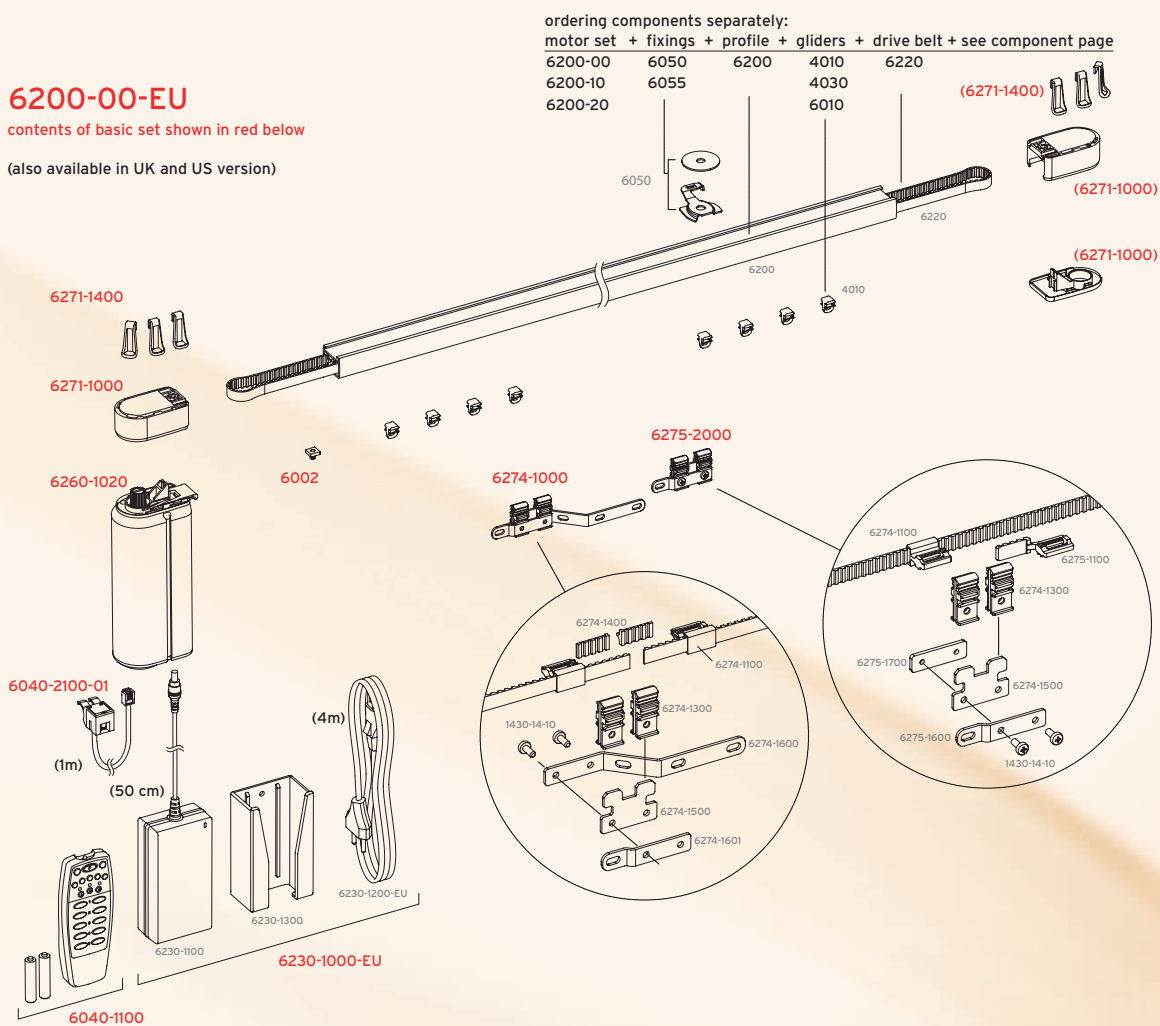


# Exploded View

## 6200-00-EU

contents of basic set shown in red below

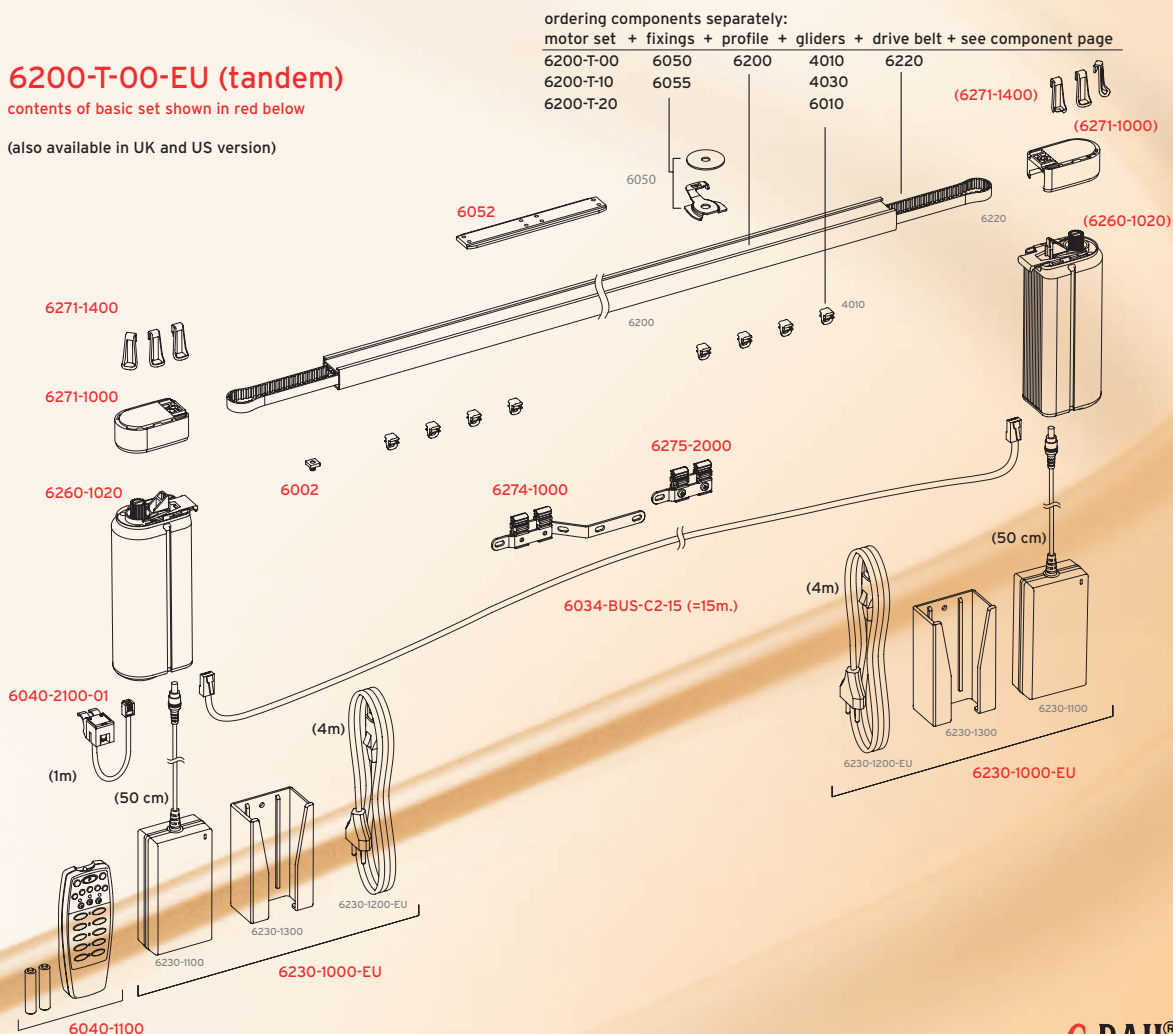
(also available in UK and US version)



## 6200-T-00-EU (tandem)

contents of basic set shown in red below

(also available in UK and US version)



# Components

Product design and specification changes reserved.



When ordering components for self assembly\*:  
 - Select Motor set :  
 - Profile 6200  
 - Drive belt 6220  
 - Component parts: see Curtain Transport, Fixing and Accessories sections below.

**6200-10**  
 Motor set with single motor, excluding infrared controls  
 Incl. switch 6048-1001-03  
 Tandem set: **6200-T-10**

**6200-20**  
 Motor set with single motor, excluding controls: Select controls from the "Connect and Control" brochure.  
 Tandem set: **6200-T-20**

\*) When ordering complete assembled systems please use our ordering form.

◀ **6200-00**  
 Basic set for systems with single motor, including infrared control (see exploded view)  
 Tandem set: **6200-T-00**

**6200** <sup>ⓓ</sup>  
 aluminium profile  
 colours: NM - W

**6220**  
 drive belt (10 mm)

## CURTAIN TRANSPORT

**4010** <sup>Ⓟ</sup>  
 glider (on strip)  
 colours: B - G - W - ZW

**4030**  
 roller  
 colours: B - G - W - ZW

**6010** <sup>ⓓ</sup>  
 projection glider, colours: W  
 maximum curtain weight: please refer to '6200 load table with glider 4010' and apply 50% reduction

**6010**

**2024-55**  
 sew in hook 55 mm

**2024-95**  
 sew in hook 95 mm

## CEILING FIXING

**6050**  
 ceiling fixing clamp, incl. washer 6050-1049  
 total curtain weight < 25 kg

**6055-1000**  
 ceiling fixing plate  
 total curtain weight < 100 kg  
 colours: N - W

fixing: turn and lock

**6055-2000-35**  
**6055-2000-45**

profile insert for recessed fixing, incl. special screw - pre-drilling 6200 profile by Goelst / G-Rail

1430-84

35mm  
45mm

**6155**  
 suspension hanger for 6200  
 incl. rail adapter 6159-10  
 colours: B - G - N - W

**6164**  
 strut hanger for 6200  
 incl. rail adapter 6159-20  
 colours: GR - W

## WALL FIXING

**6057** <sup>ⓓ</sup>  
 adaptable wall bracket  
 7 cm - 15 cm  
 colours: NM - W

**6051** <sup>ⓓ</sup>  
 wall support - 4 cm projection  
 colours: B - GR - W - ZW

## ACCESSORIES

Components for single track with more than one pair of curtains  
**6274-2000** **6275-2000**

**6274-2000**  
 overlap carrier for additional pairs of curtains on single track

**6275-2000**  
 overlap carrier in combination with 6274-2000 for additional pairs of curtains on single track

additional pair of curtain

**6059**  
 wall return set (L&R) 15 cm, for wall and ceiling mounting - can be trimmed (minimum 9 cm)  
 colours: W

**6052**  
 internal connecting bridge - standard with tandem systems

**6280-PRS** <sup>Ⓟ</sup>  
 Pilot Release System 6280-PRS  
 See PRS brochure for options

## CONTROL OPTIONS

Home Automation

IR RF

The extensive range of control options are featured in our 'Control' brochure. Alternative control options are available on request.

**ELECTRIC CURTAIN RAIL**

# 6200

B = Brown  
 G = Gold  
 GR = Grey  
 N = Natural  
 NM = Natural metallic  
 W = White  
 ZW = Black

◀ = standard item  
 ⓓ = registered design  
 Ⓟ = patented design

**G-RAIL** <sup>®</sup>